

BT 75 V Floor Machine

Technical Data & Features

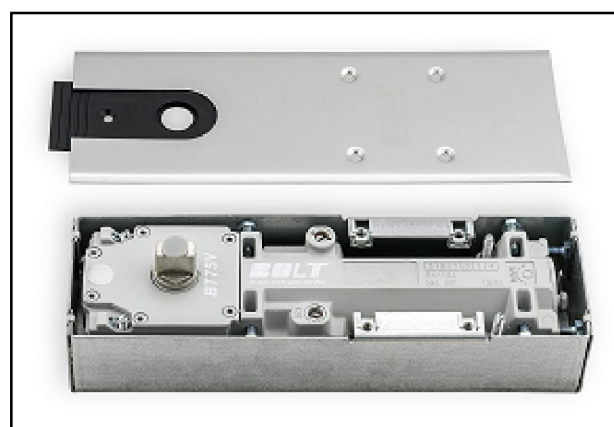
BT 75 V Floor Machine

SPIDBOLT BT 75V is a double action floor machine are designed for all type of door a comprehensive program of accessories ensures that they can be used successfully with a wide variety of door constructions and floor coverings.

Technical Data & Features

Data & Feature		BT 75 V
Machine Strength EN		1 – 4
Machine Strength adjustment		•
Standard and external door width	≤ 950mm	-
	≤ 1100mm	•
	≤ 1500mm	•
For Fire and smoke check doors		•
Max. leaf weight (KG)		150
Non- handed, suitable For Single and double action doors		•
Closing Speed	175° - 0°	-
	175° - 25°	•
	25° - 0°	•
Back Check Mechanical		•
Delayed action adjustable by valve (Selectable alternative to the hold-open Feature)		-
Hold open	Adjustable	-
	Fixed 90°	•
Cover Plate Secured to	Cement Box	-
	Floor Machine	•
Weight in kg		3.0
Dimensions in mm	Length	283
	Overall depth	85
	Height	50
Floor Spring Tested to EN 1154		•

• yes, - No



Cover Plate

Adaptable to right or left hand Single action application by simply snapping off the appropriate pre-blanked corner sections, For double action doors, the corner sections remain in place. The floor machine cover plate is available in stainless steel.



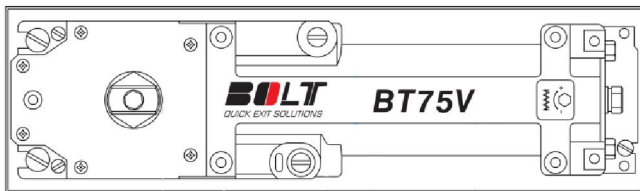
Spindle

A range of interchangeable spindles is available to provide greater floor clearance if required (e.g. doors with thresholds, carpeted floors etc.)

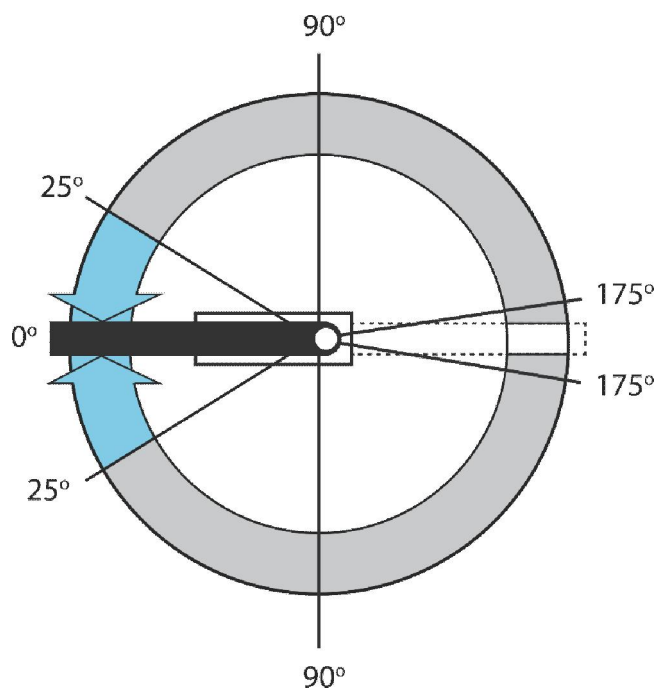
Specification Text

SPIDBOLT BT 75V Floor Machine conforming to DIN EN 1154, Non handed unit suitable for LH and RH Single and double action doors upto 150 kg leaf weight, with adjustable spring strength (EN 1-4) and closing speed, with closing action operational from approx, 175° featuring hydraulically fully controlled closing cycle and back check including cement box.

BT 75V



1. Adjustable closing speed in the range 175° - 25°.
2. Adjustable Closing speed in the range 25° - 0°.
3. Fixed hold-open at 90°.
4. Adjustable spring strength (EN 1 - 4).



Closing Speed

With two independently adjustable closing ranges (175°- 25° and 25° -0°) the SPIDBOLT BT 75V is ideally adapted to different structural conditions.

Back Check

The integrated mechanical back check function protects the wall and door from damage caused by excessively vigorous opening.

Fixed hold – Open

With the fixed hold open function the door can be held open at an angle of 90°.